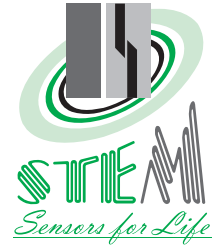




ATEX

MAGNETIC SENSORS



Company STEM S.r.l., always engaged to propose easy to use and efficient solutions for the magnetic sensors, presents the new ATEX series with six models that cover all the possible installation solution.

The products were tested in the IMQ laboratories so the new ATEX sensors could be used in:

- ZONE 2 and 22
- CATEGORY 3G and 3D

According to: 2014/34/EU

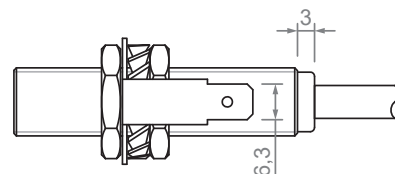
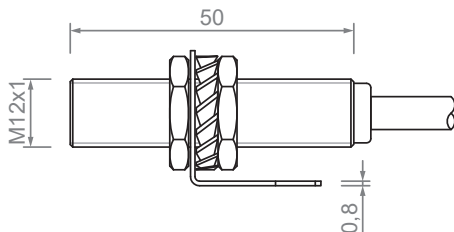
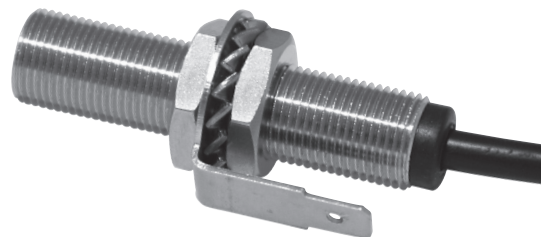
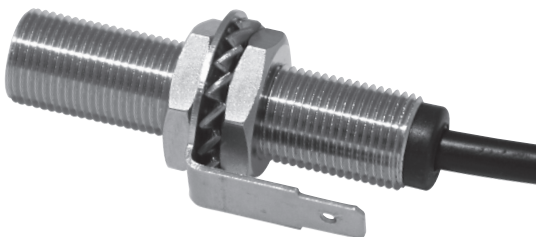
Our ATEX products are labelled:

II 3G Ex mc IIC T6 Gc
II 3D Ex mc IIIC T75° Dc



SENSOR CODE D128 BB UL Z...X 0 EX

SENSOR CODE D128 BB UL Z...B 0 EX



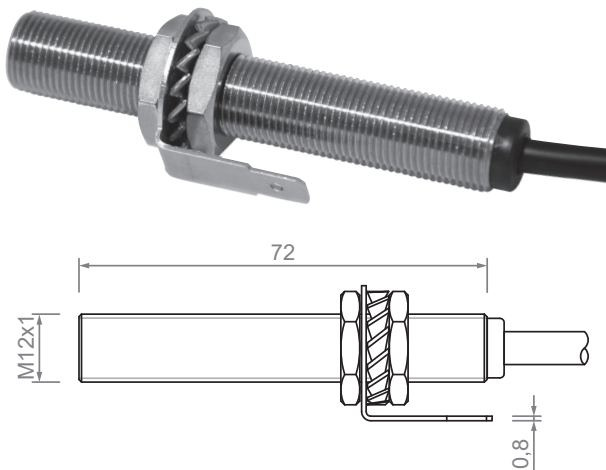
Stainless-Steel AISI 316 housing with earth terminal;
 UL black bipolar PVC Cable 2 x AWG 20;
 cable lenght on request.

Nickel-Brass housing with earth terminal;
 UL black bipolar PVC Cable 2 x AWG 20;
 cable lenght on request.

Max Voltage (V): 200 Vdc, 250 Vac
 Max Power (W): 50 W
 Max Current (A=W/V): 0,5 A
 Protection degree: IP67
 Ambient Temperature: -20°C ... +70°C

Max Voltage (V): 200 Vdc, 250 Vac
 Max Power (W): 50 W
 Max Current (A=W/V): 0,5 A
 Protection degree: IP67
 Ambient Temperature: -20°C ... +70°C

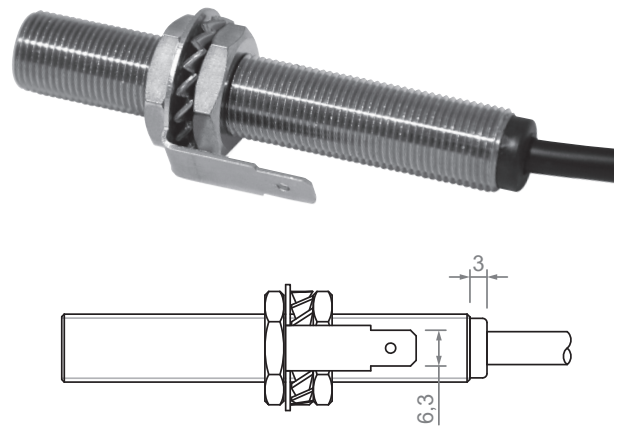
SENSOR CODE D122 BB UL Z...X 0 EX



Stainless-Steel AISI 316 housing with earth terminal;
UL black bipolar PVC Cable 2 x AWG 20;
cable lenght on request.

Max Voltage (V): 200 Vdc, 250 Vac
Max Power (W): 50 W
Max Current (A=W/V): 0,5 A
Protection degree: IP67
Ambient Temperature: -20°C ... +70°C

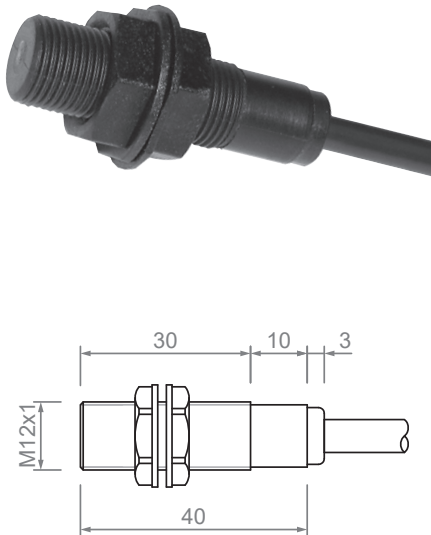
SENSOR CODE D122 BB UL Z...B 0 EX



Nickel-Brass housing with earth terminal;
UL black bipolar PVC Cable 2 x AWG 20;
cable lenght on request.

Max Voltage (V): 200 Vdc, 250 Vac
Max Power (W): 50 W
Max Current (A=W/V): 0,5 A
Protection degree: IP67
Ambient Temperature: -20°C ... +70°C

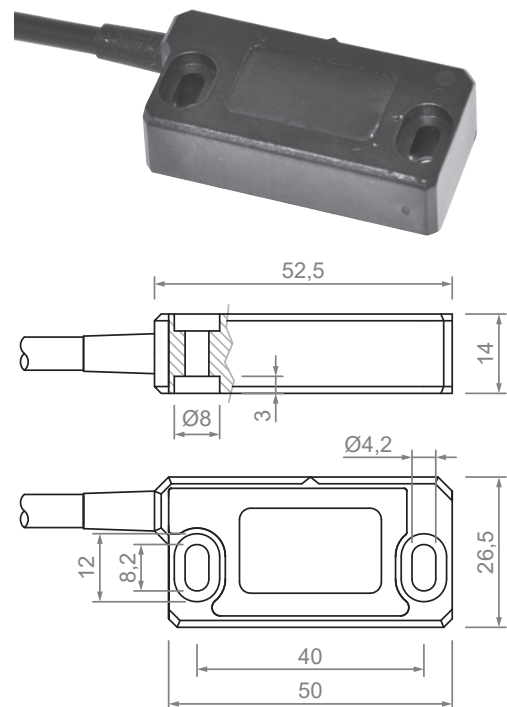
SENSOR CODE D12P BB UL Z...P 0 EX



Fiber-Glass reinforced PA6 housing;
UL black bipolar PVC cable 2 x AWG 20;
cable lenght on request.

Max Voltage (V): 200 Vdc, 250 Vac
Max Power (W): 50 W
Max Current (A=W/V): 0,5 A
Protection degree: IP67
Ambient Temperature: -20°C ... +70°C

SENSOR CODE E780 BB UM Z...P 0 EX



Fiber-Glass reinforced PA6 housing;
UL black bipolar PVC cable 2 x AWG 22;
cable lenght on request.

Max Voltage (V): 200 Vdc, 250 Vac
Max Power (W): 50 W
Max Current (A=W/V): 0,5 A
Protection degree: IP67
Ambient Temperature: -20°C ... +70°C